

INSTALLATION INSTRUCTIONS

OCEAN MASTER M1 CENTER POST



APPLICABLE TO OCEAN MASTER M1 CENTER POST:

M1 CLASSIC, M1 MANTA, M1 HORIZON, M1 RAZOR, M1 CRESCENT, M1 PAGODA, M1 POLYNESIAN, & M1 CUPOLA.

TO PROTECT YOUR PRODUCT, PLEASE READ THE OPERATING INSTRUCTIONS BEFORE OPENING THE PARASOL.

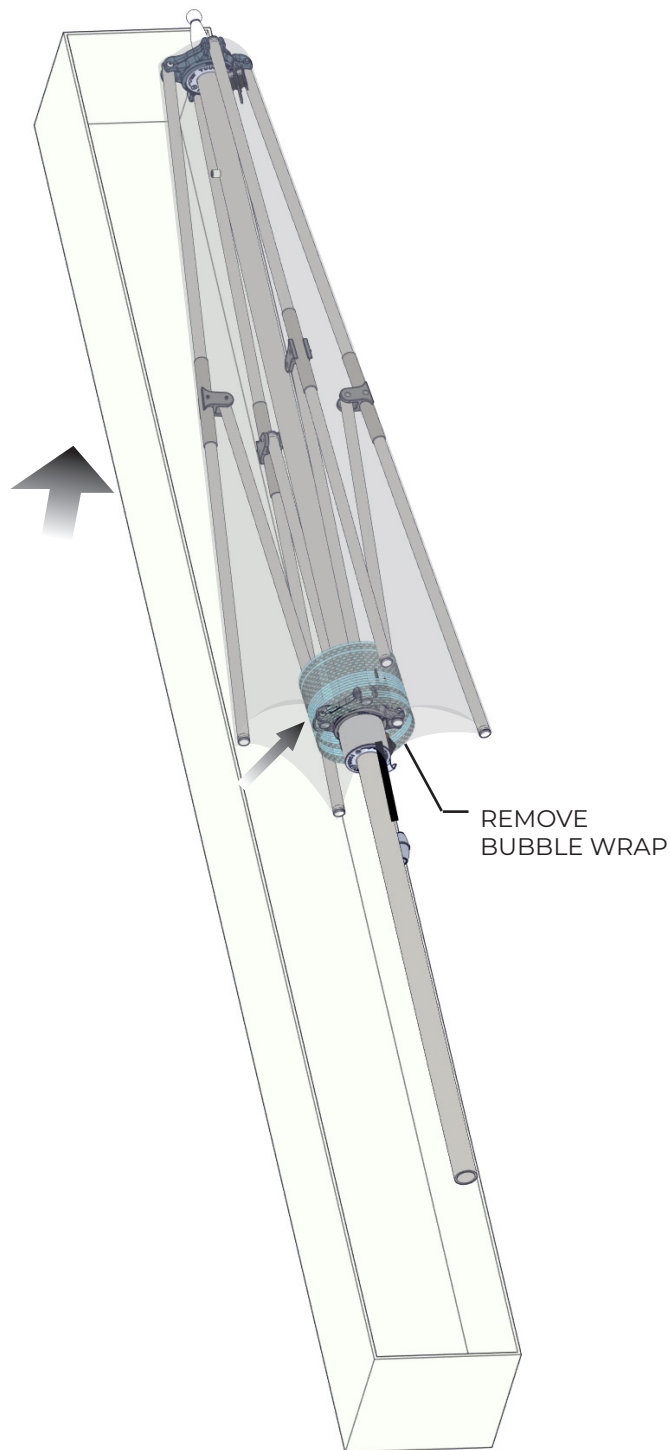
STEPS 2 & 3 WILL CONTINUE TO BE IMPORTANT FOR THE LIFE OF THE UMBRELLA, FOR MORE INFORMATION PLEASE VISIT TUUCI.COM

CLOSE UMBRELLA WHEN NOT IN USE PARTICULARLY IN ADVERSE WEATHER CONDITIONS AND DURING WIND.

OCEAN MASTER M1 CENTER POST

STEP 1

REMOVE ALL PACKAGING FROM IN AND AROUND PARASOL.



OCEAN MASTER M1 CENTER POST

STEP 2

INSERT AND SECURE PARASOL INTO APPROPRIATE ANCHOR.



WITH ABOVE GROUND ANCHOR



WITH IN-GROUND FLUSH MOUNT

OCEAN MASTER M1 CENTER POST

STEP 3

GENTLY SEPARATE EACH RIB FROM CENTER POST APPROXIMATELY 4 TO 8 INCHES. IF RIB DOES NOT MOVE EASILY, DO NOT FORCE. INSPECT PRODUCT FOR ADDITIONAL PACKAGING.

