


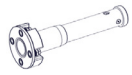










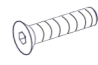
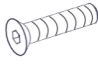





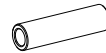


TUUCI®

INSTALLATION INSTRUCTIONS



OCEAN MASTER MEGA MAX VOILARE CENTER POST

HARDWARE AND PARTS INCLUDED (IMAGES ARE NOT 1:1 SCALE)

	DESCRIPTION	QTY	PART IMAGE
a	Crank Handle	1	
b	Base Stem	1	
c	Beauty Cover	1	
d	1/2" Allen Wrench	1	
e	5/16" Allen Wrench	1	
f	5/32" Allen Wrench	2	
g	Screw #10 x 7/8"	50	
h	Pole	1	
i	Ribs A	12	
j	Ribs B	12	

	DESCRIPTION	QTY	PART IMAGE
k	Screw 1/2-13" x 1-1/2"	5	
l	Screw 1/2-13" x 2-1/4"	5	
m	Washer, 1/2"	5	
n	Nut, 1/2-13"	5	
o	Lubricant	1	
p	Canopy	1	
q	Finial	1	
r	Bushing 1/4-20	50	
s	1/4-20 x 1/2" Screw	50	
t	Umbrella Strap	1	

INCLUDED ON MODEL WITH LIGHT

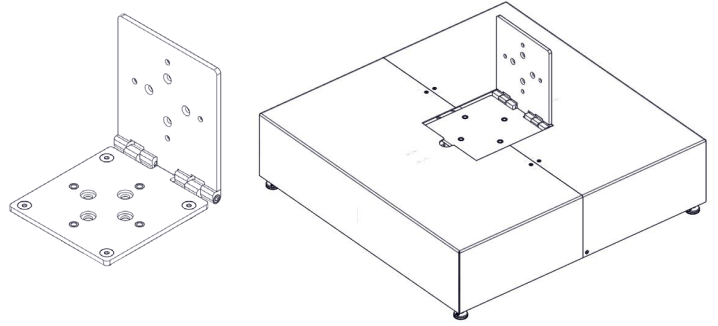
n	2.5 mm Allen Wrench	1	
o	Ambia LED Light + Touch Switch	1	

IMPORTANT: THE ANCHOR MUST BE INSTALLED BEFORE MOUNTING THE PARASOL. TO PROTECT YOU AND YOUR PRODUCT, PLEASE READ THE INSTALLATION INSTRUCTIONS.

OCEAN MASTER MEGA MAX VOILARE CENTER POST

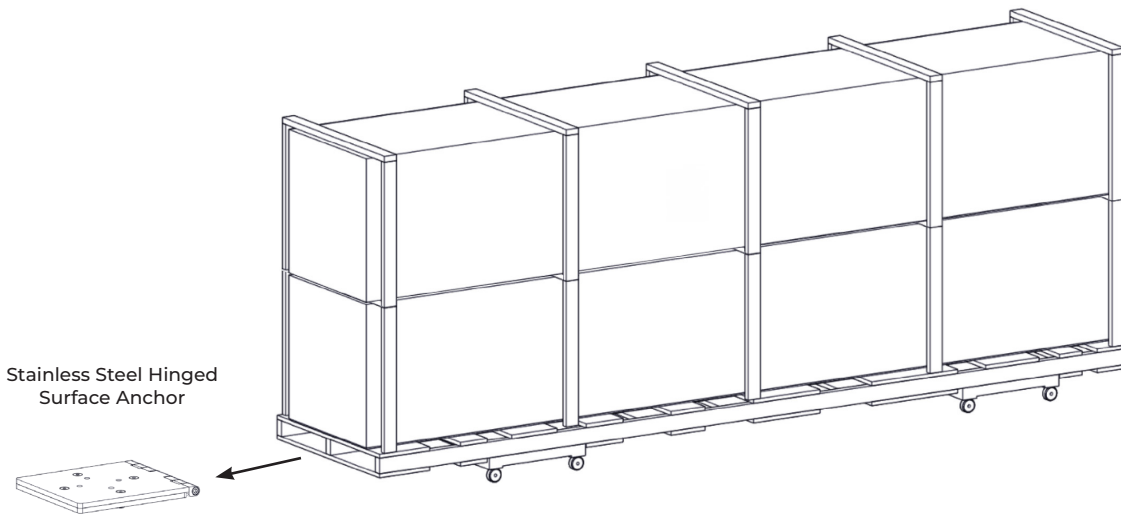
STEP 1

Ensure the Stainless Steel Hinged Surface Anchor has been installed and secured correctly to concrete or the Full Aluma Crete Cube Anchor for the Ocean Master MEGA MAX Voilare before mounting the parasol.



STEP 2

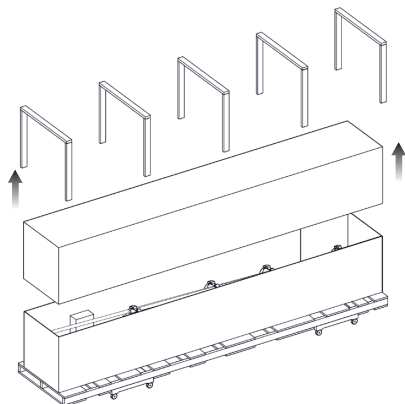
Roll the parasol boxes next to the pre-installed Stainless Steel Hinged Surface Anchor.



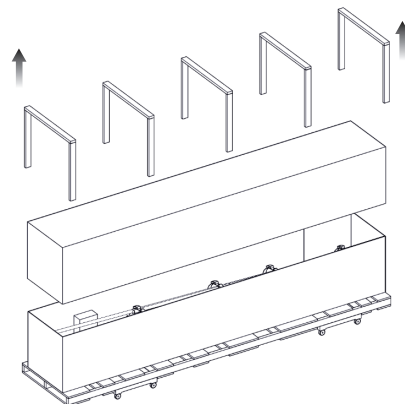
STEP 3

Remove the wooden support bars and the boxes top.

Box# 1: Mast, Hardware and Canopy



Box# 2: Canopy Ribs

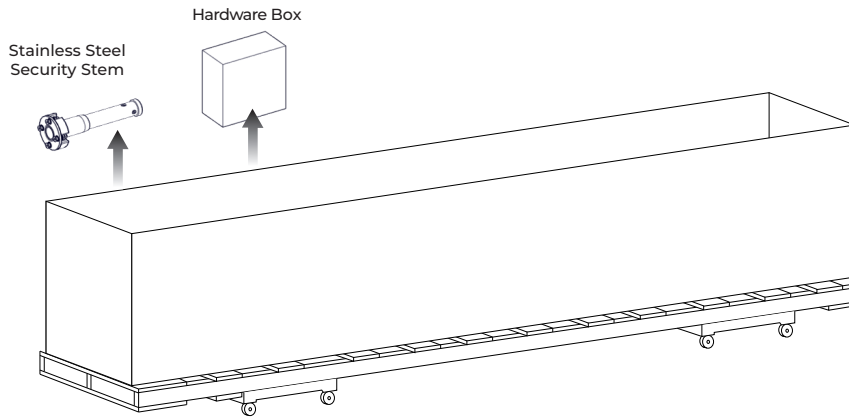


OCEAN MASTER MEGA MAX VOILARE CENTER POST

STEP 4

Remove the hardware box and Stainless Steel Security Stem (the stem is inside the parasol mast).

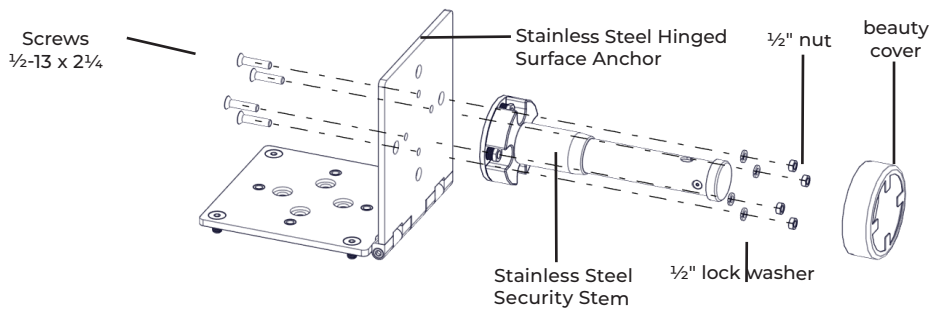
Tip: Remove the security bolt and put it aside to take the stem out of the parasol mast. Use the ½ Allen wrench provided inside the hardware box to remove the security bolt.



STEP 5

Install the stainless steel security stem to the Stainless Steel Hinged Surface Anchor using the hardware provided.

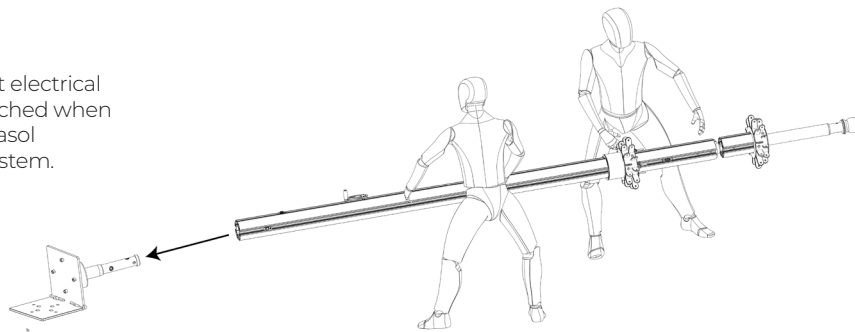
IMPORTANT: The Stainless Steel Hinged Surface Anchor and Stainless Steel



STEP 6

Carefully lift the mast and fit it into the stainless steel security stem installed in the previous step.

Note: Ensure that electrical cords are not pinched when inserting the parasol over the security stem.

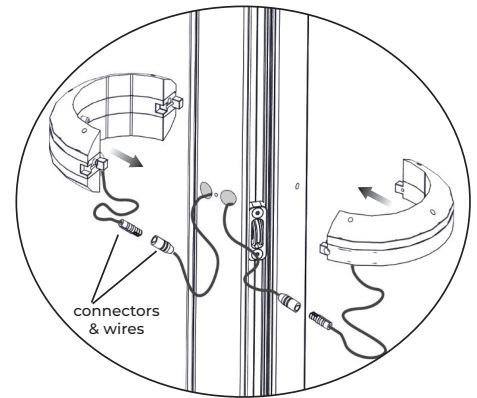
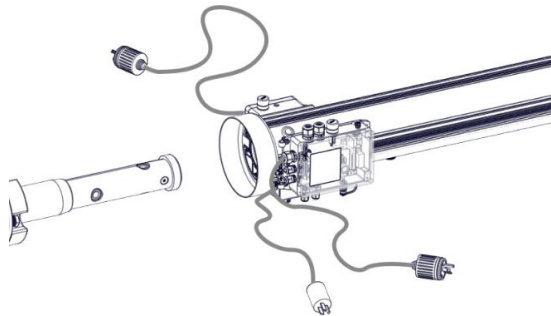


OCEAN MASTER MEGA MAX VOILARE CENTER POST

Note: For the electric parasols and AMBIA LED light installation.

- Align light pins with holes and connect the wires from the light to the wires emerging from the mast, reference **page# 11** for more details.
(Do this step before completing the installation of the ribs.)

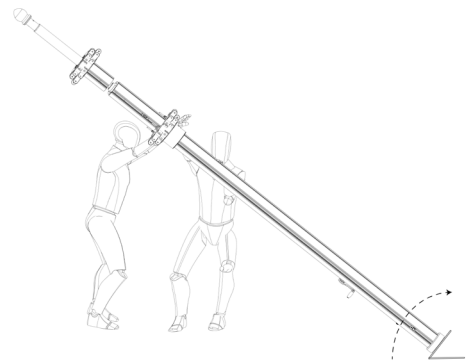
- Secure both sides with screw provided.



STEP 7:

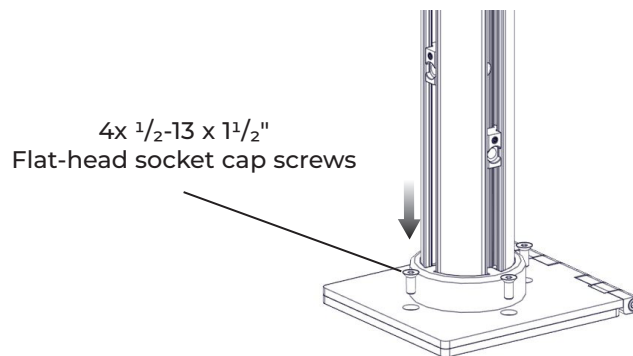
Position the mast vertically:

- Carefully lift and push the parasol up until it is upright.
- Hold the parasol upright until the base is secured.



STEP 8:

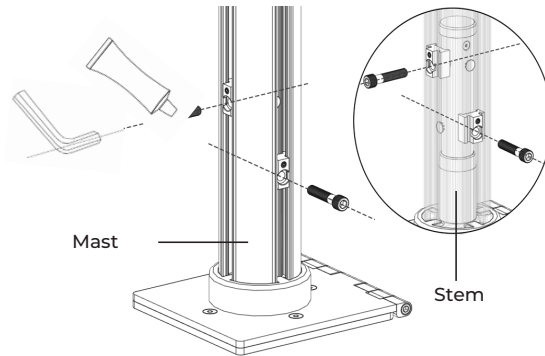
Use the provided hardware to secure the Stainless Steel Hinged Surface Anchor.



OCEAN MASTER MEGA MAX VOILARE CENTER POST

STEP 9:

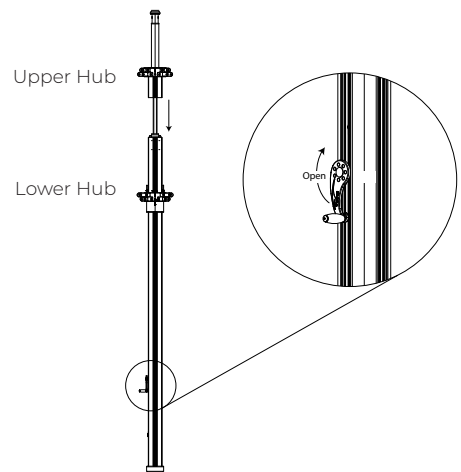
- Rotate the parasol frame until the parasol lock hole, and the Stainless Steel Security Stem hole align.
- Secure the parasol with the provided $\frac{5}{8}$ " bolt and add lubricant anti-seize (included with hardware).



STEP 10:

- Open the parasol to lower the upper hub for easier installation.

Note: Rotating the handle clockwise open the parasol to lower the upper hub.

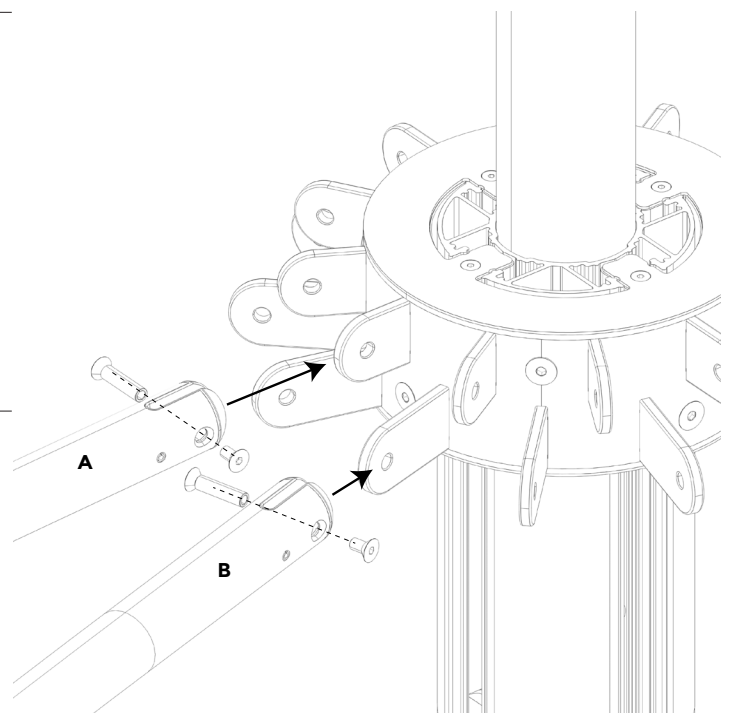


STEP 11:

- Locate the ribs marked with the letter "B". (Qty: 12)
- Insert these ribs into the lower ears (attachment points) of the upper hub and secure them with the screw and barrel set using the $\frac{5}{16}$ " allen wrench provided.

STEP 12:

- Find the ribs marked with the letter "A". (Qty: 12)
- Insert these ribs into the upper attachment points of the upper hub and secure them with the screw and barrel set provided.

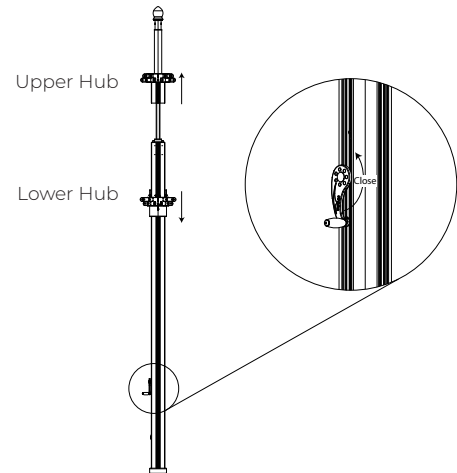


OCEAN MASTER MEGA MAX VOILARE CENTER POST

STEP 13:

- Close the parasol to lower the bottom hub for easier installation.

Note: Rotating the handle anticlockwise close the parasol to lower the bottom hub.

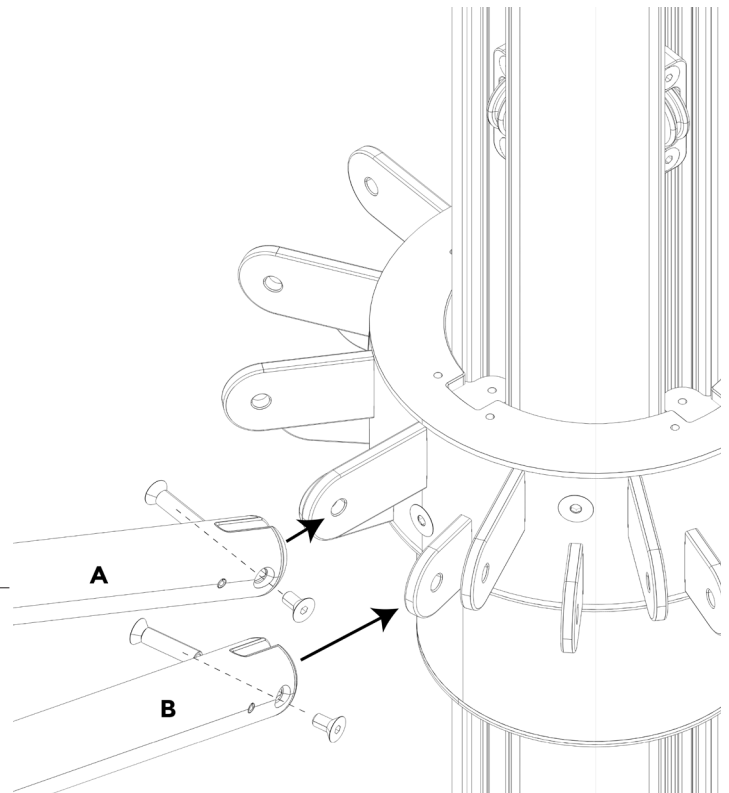


STEP 14:

- Identify the ribs marked with the letter "A".

- Insert these ribs into the upper attachment points of the lower hub and secure them with the screw and barrel set using the 5/16" allen wrench provided.

NOTE: Leave one "A" rib uninstalled to make space for the subsequent steps. Reference image below.

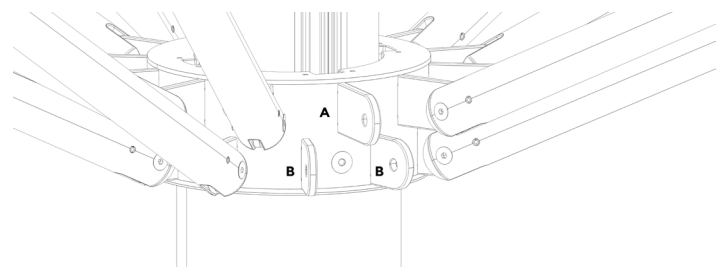


STEP 15:

- Attach the "B" ribs into the upper ears of the lower hub, leaving two ribs uninstalled. These two ribs should be adjacent to the unconnected "A" rib from the previous step.

This arrangement leaves space to maneuver and secure the canopy.

NOTE: 3 CONSECUTIVE RIBS UNINSTALLED AS SHOWN



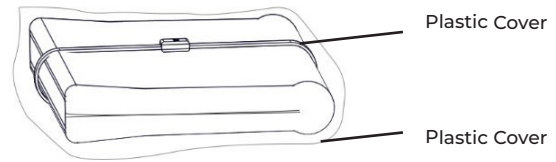
NOTE: Leave two "B" rib uninstalled at this stage to make space for the subsequent steps. Reference image on the side.

OCEAN MASTER MEGA MAX VOILARE CENTER POST

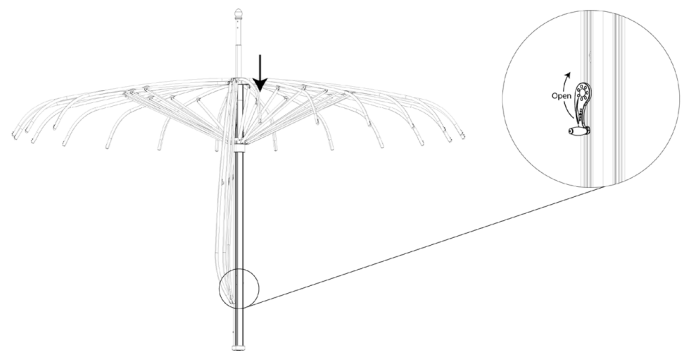
STEP 16:

To Install the canopy fabric on the mast:

- Carefully remove only the protective plastic cover, but keep the belt around the fabric to make it easier to handle

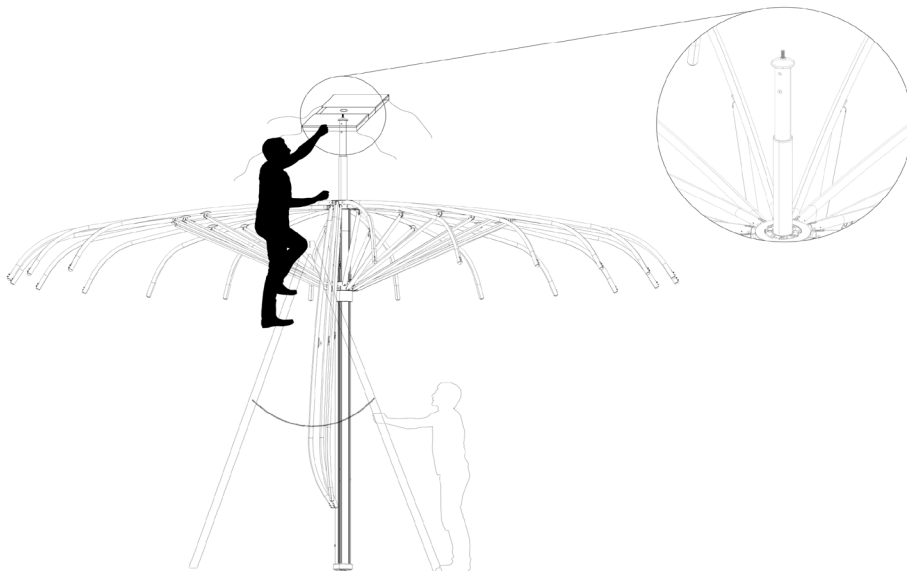


- Open the parasol to lower the upper hub and provide easier access for the canopy installation.

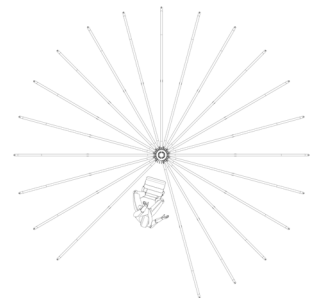


- Utilize the space left by the partially installed ribs to set up the ladder, lift the canopy to the top, and position the fabric over the mast.

Side View:



Top View:



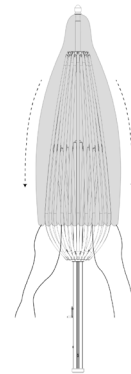
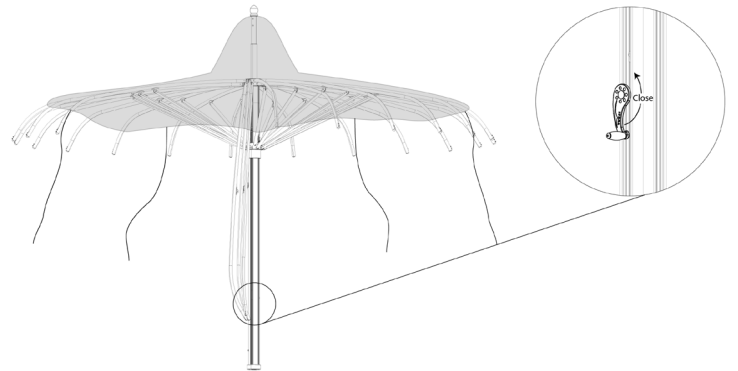
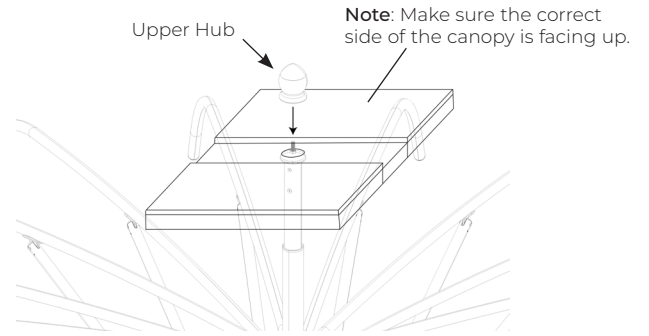
OCEAN MASTER MEGA MAX VOILARE CENTER POST

STEP 17:

- Secure the canopy fabric by screwing the finial (a decorative cap) by hand onto the top of the mast. The finial holds the canopy in place.

- Close the umbrella to let the canopy fabric fall into place properly. This step ensures that the canopy is positioned correctly before securing the final ribs.

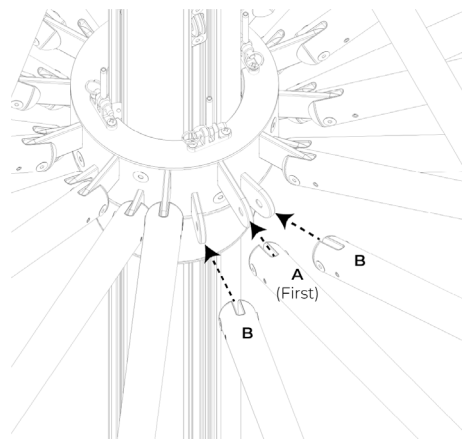
NOTE: Use the straps tied to the canopy to facilitate correct placement.



STEP 18:

- Partially reopen the umbrella and install the remaining three ribs into the lower hub.

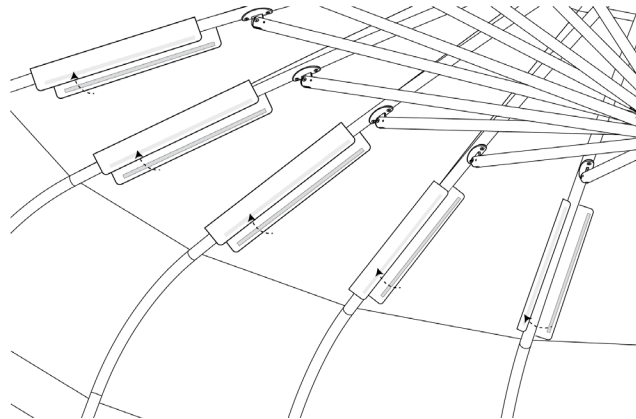
- Start by installing the last "A" rib and then complete the installation by securing both "B" ribs.



OCEAN MASTER MEGA MAX VOILARE CENTER POST

STEP 19:

Adjust all the hook and loop fasteners on the canopy at the middle of each rib. This step ensures the canopy is aligned, tightly secured and does not flap in the wind.

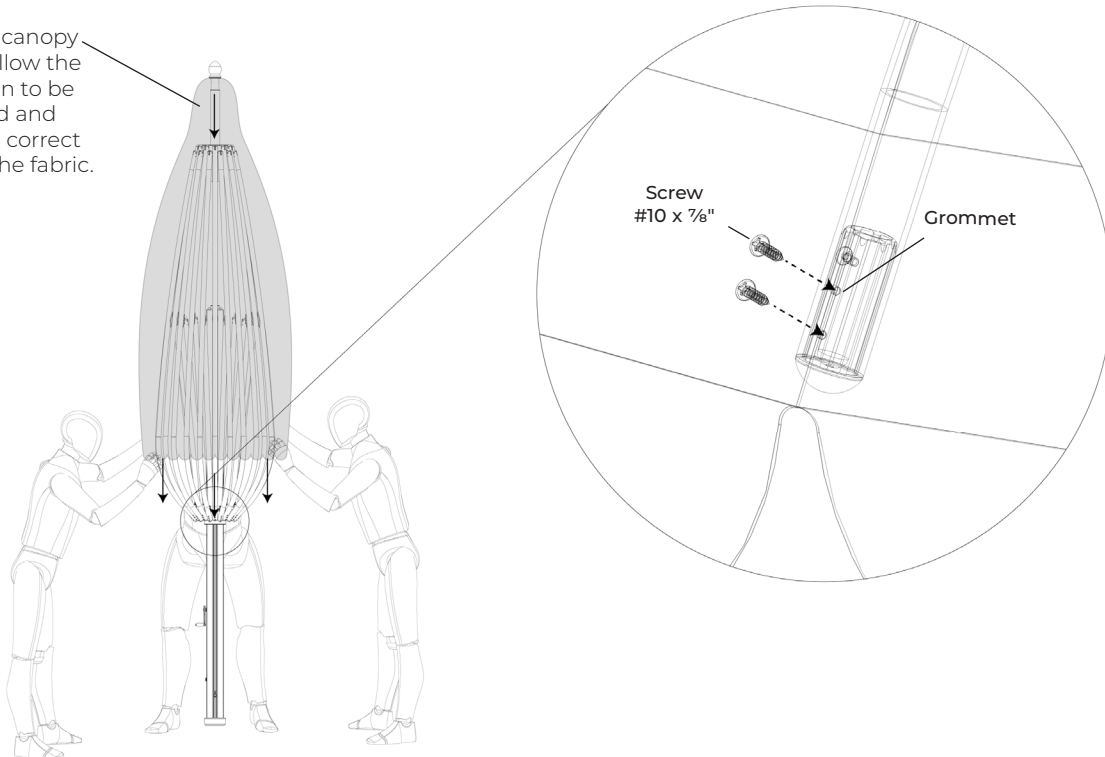


STEP 20:

- With three or more installers pulling the canopy, pull the canopy fabric down gently in opposite ends. (wear clean gloves to avoid soiling or damaging the canopy). Keep pulling down on the canopy until at least 6 ribs have the canopy installed.

- While the fabric is being pulled, another installer should secure the screws at the end of each rib through the designated holes at the canopy's edge. This step ensures the canopy is tightly fitted to the frame.

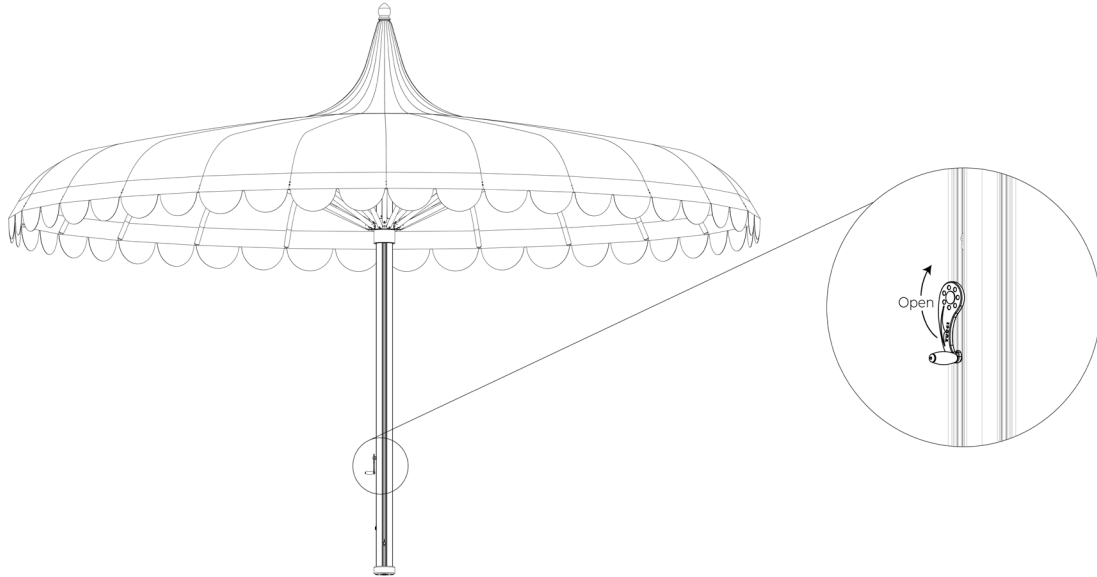
Pulling the canopy down will allow the upper piston to be compressed and achieve the correct tension in the fabric.



OCEAN MASTER MEGA MAX VOILARE CENTER POST

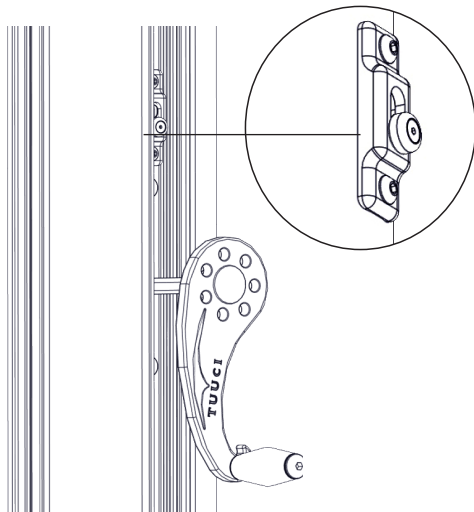
STEP 21:

Rotate the handle clockwise to open the umbrella and enjoy the shade.



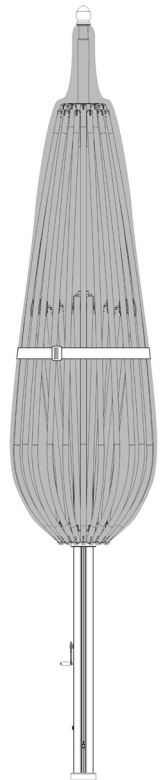
Note:

With the crank inserted, lock the parasol by sliding the button down.



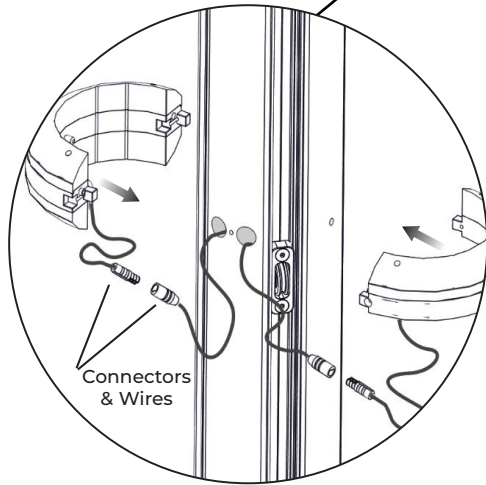
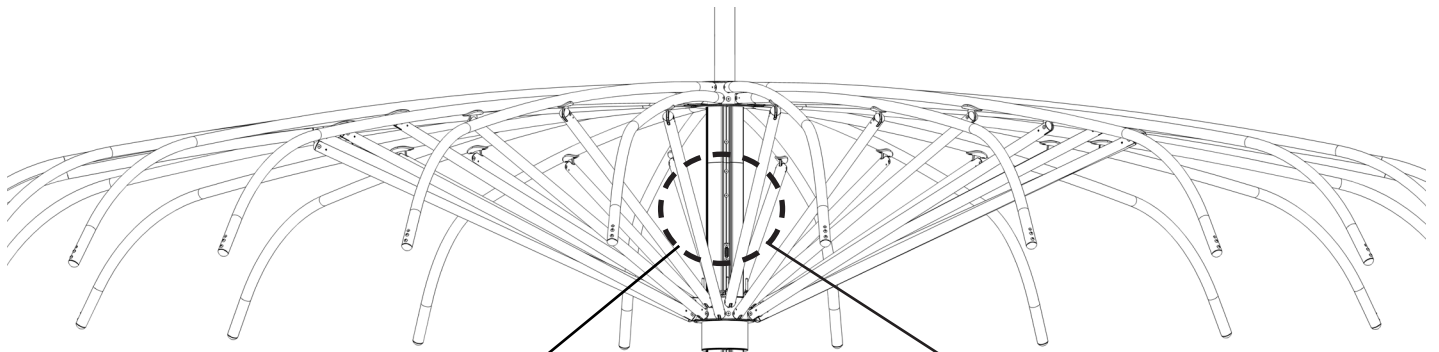
IMPORTANT:

Close parasol during wind conditions that exceed the manufacturer's specifications. The parasol must be fully closed and secured with tie strap when not in use.



OCEAN MASTER MEGA MAX VOILARE CENTER POST

IF APPLICABLE: AMBIA LED LIGHT INSTALLATION

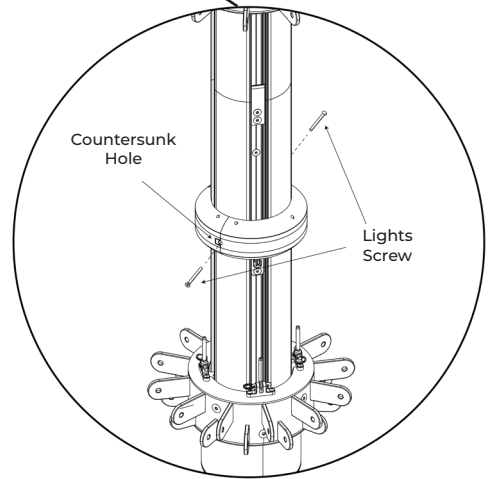


Step 1

Connect the wires from the light to the wires emerging from the mast, as illustrated below.

Note:

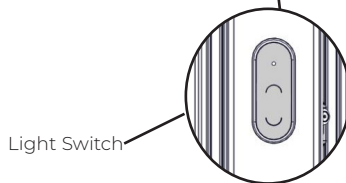
Use electrical tape to secure the connectors to prevent the wires from disconnecting inside the pole.



Step 2

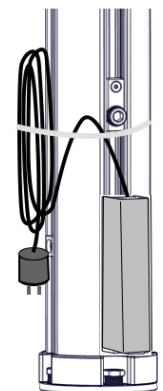
Ensure both light halves are mounted, and the wires are inside the pole.

Insert screws going through the countersunk hole on the right and then through the mating hole on the left half.



Step 3

Cut zip tie holding power supply cable on the parasol mast and plug it into an electrical outlet.



OCEAN MASTER MEGA MAX VOILARE CENTER POST

IF APPLICABLE: OPERATING THE AMBIA LED LIGHT ON WITH TOUCH SWITCH

UPLIGHT

Step 1: Off Mode

Step 2: (Dim) Press Upper button to turn the UPLIGHT on

Step 3: (Dim) Press again to increase the light intensity

Step 4: (Dim) Press once more for maximum intensity

Step 5: Press and hold to turn off

DOWNLIGHT

Step 1: Off Mode

Step 2: (Dim) Press the bottom button to turn the DOWNLIGHT on

Step 3: (Dim) Press again to increase the light intensity

Step 4: (Dim) Press once more for maximum intensity

Step 5: Press and hold to turn off

UPLIGHT

DOWNLIGHT

LIGHT INTENSITY

OFF

LOW

MEDIUM

HIGH